

DOUBLE UP RETRACTABLE



Product Features

The Double Up Banner Stand is a very unique banner stand, it gives you visual impact and depth with layered graphics profiled to complement your message and brand. It's lightweight and a breeze to set up - simply unroll the graphic panel from its base!

Size: 33.5"W X 72"H x 8.5"D

Finishing

Banner attaches to the top and bottom of stand by clamp bar 6" bleed on bottom

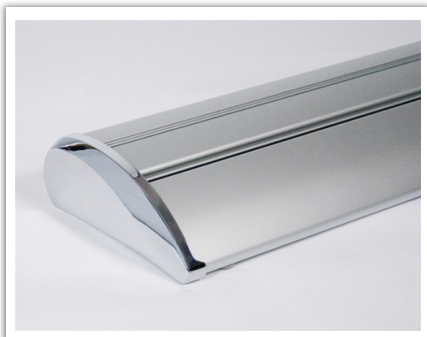
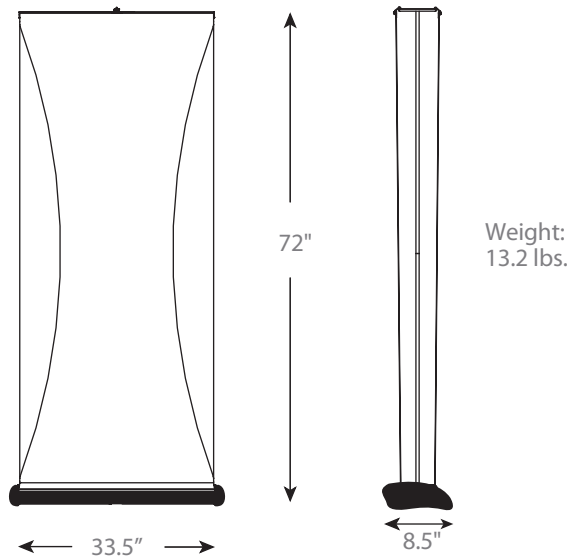
Construction

Aluminum Base w/ plastic end caps

Aluminum Pole w/ plastic hook connector

Accessories

Optional attachable LED Light



Sets Up In Seconds

